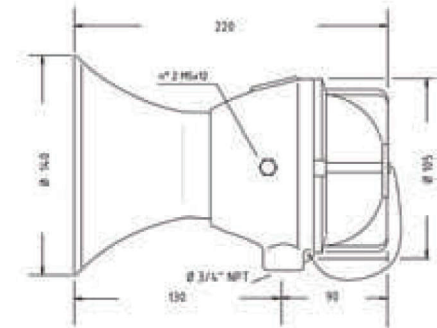




Description

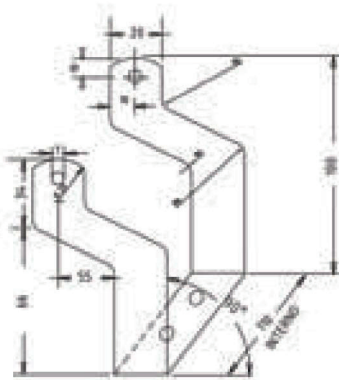
FD312B acoustic siren is suitable for application where it is necessary to use an alarm signal indoors or with low background noise. Suitable also to be installed in hazardous area, zone 1 and 2. Sounds selected are 32, like: BI-TONE - YELP - WAII - INTERMITTENT - FIXED NOTE.

- > Aluminum body and cover without copper
- > Screws in AISI 304
- > An entrance hole \varnothing 3/4 "ISO 7/1"
- > explosion proof protection rating:
- > II 2GD Ex d IIC T6 Gb
- > II 2GD Ex tb IIIC T85 ° C Db
- > Protection rating : IP65



General Technical Data

Power supply	12+24 Vac/Vcc
Power	4 W
Measure Range	102 Db
Acoustic frequency	340 + 2000 Hz
Service	continuous
Weight	Kg. 1,5
Operating temperature	- 20 °C + + 55 °C



Accessories: ST312 plastic support bracket